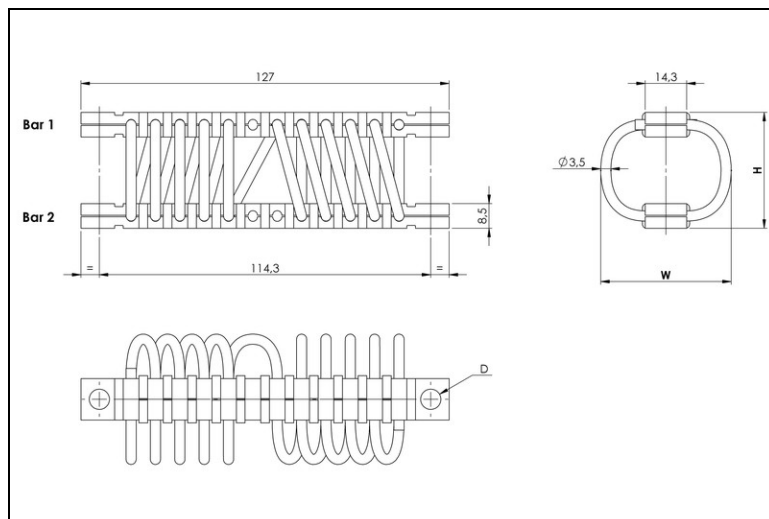


# WIRE ROPE ISOLATORS: 'HELICAL'

DEFINITION  
**series C4H**



- All metal multidirectional anti-vibration/shock mounts
- Exceptional reliability and long life
- High damping
- No aging
- Corrosion resistant
- Unequalled temperature range : -180°C to +300°C / -290F to 570 F
- Great adaptability/versatility

Specials on request

(material size and number of loops, etc.)

Dimensions are in millimeters. For reference only

SERIES
Materials and finishes (meets RoHS requirements)
<b>C4H</b>
<b>Cable:</b> stainless steel
<b>Retainer bars:</b> aluminium alloy/ SurTec
<b>Clips:</b> stainless steel
<b>Inserts:</b> alloy steel/ zinc plate
Other materials on request

MODEL			
	height H (mm)	width W (mm)	weight (kg)
310	28	37	0,13
410	30	39	0,13
510	33	42	0,13
610	36	44	0,14
710	38	47	0,14
810	41	49	0,14
910	44	52	0,15
1010	51	61	0,16
1110	53	63	0,16
1210	54	71	0,17
1310	57	80	0,18

INTERFACES			
fixtures holes D	Bar 1		
	2 through holes ø6,4mm	2 through holes ø6,4mm countersunk k 90°	2 inserts M6
Bar 2			
2 through holes ø6,4mm	no suffix	not standard	not standard
2 through holes ø6,4mm countersunk 90°	CM	CM2	not standard
2 inserts M6	IM	CIM	IM2

**C 4 H 3 1 0 C I M**

SERIE: C4H

'Helical' mount from the C4H series

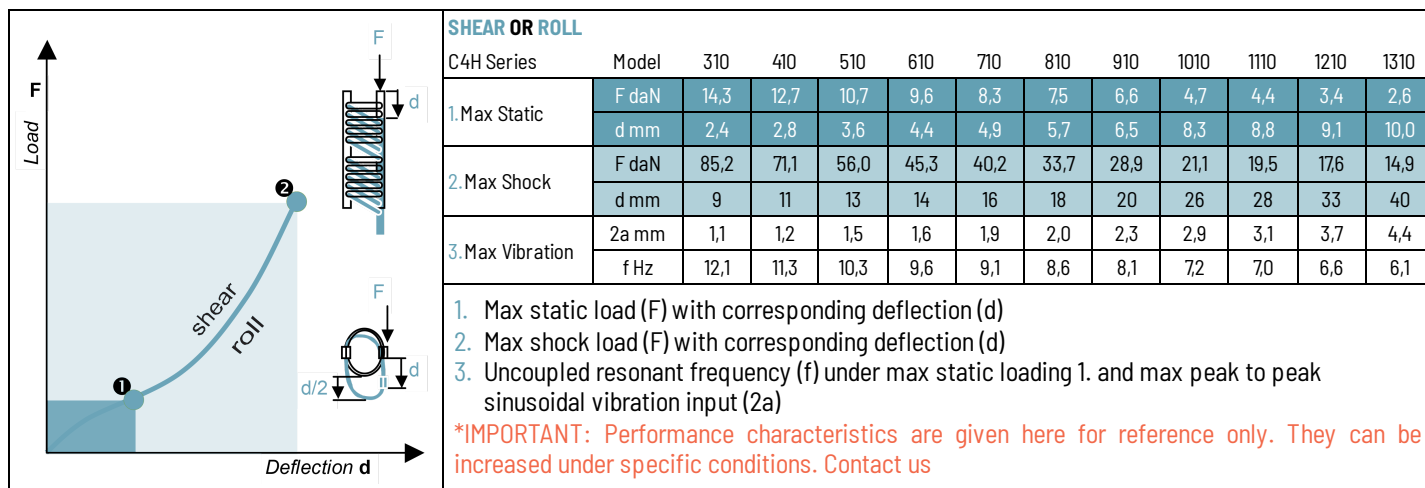
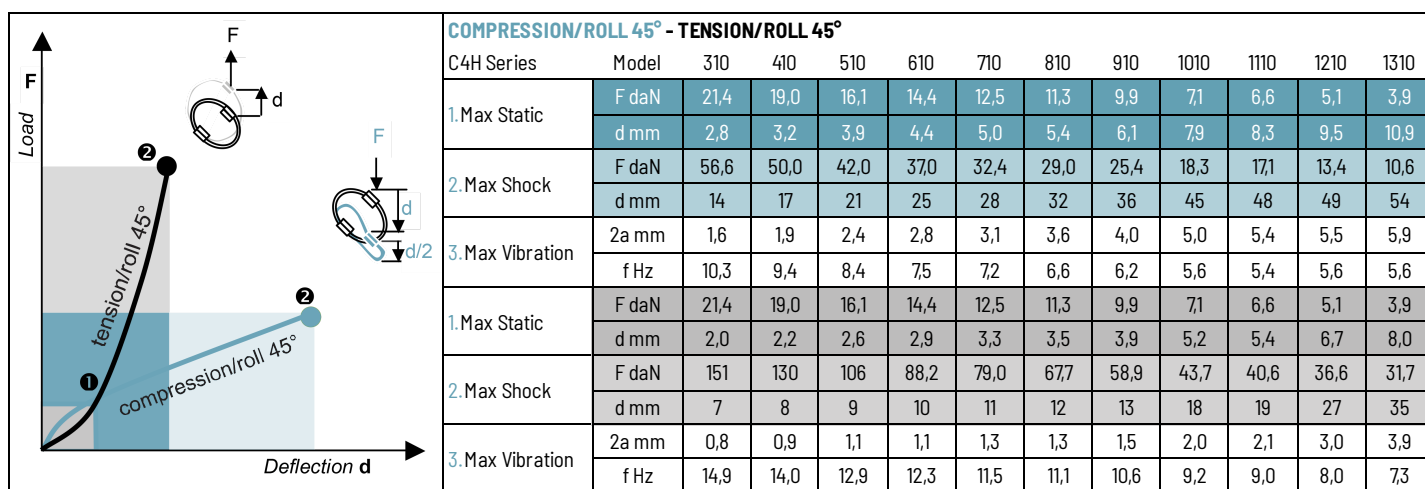
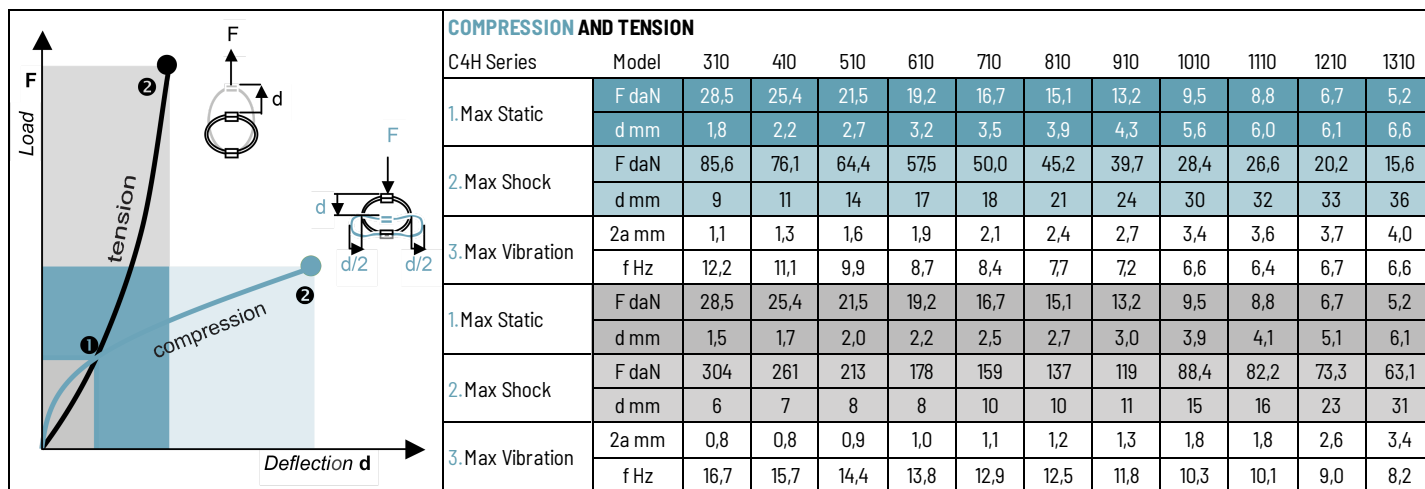
MODEL: 310

height: 28mm  
width: 37mm  
weight: 0,13kg  
loops: serie  
standard is 10 loops

INTERFACE: CIM

2 through holes ø6,4mm  
countersunk 90° in bar 1,  
2 inserts M6 in bar 2





## TYPICAL SHOCK/VIBRATION SPECIFICATIONS:

- Air** AIR 7306, MIL-E-5400, MIL-C-172, MIL-STD-810
- Ground Forces** GAM EG13A, SEFT 001, MIL-STD-810, VG 9533
- Marine** GAM EG13C, IT25-21/96-31/15-86, MIL-S-167, MIL-S-901, STANAG 042, BV 043.73, BV 044
- Others** GAM EMB1, GAM EMBT4, DEF STAN 07-55, IEC 571, FINABEL 2C